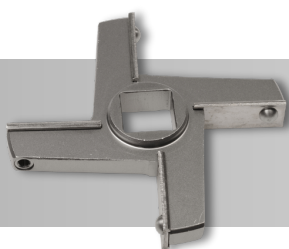


Description	EAN-No.	Price	
Knife No.42/52, 4 wings, inox (1)	76 12892 20420 1		With exchangeable blades, + key
Blades No.42/52 (2)	76 12892 30042 2		1 box with 8 blades
Screws, inox	76 12892 40106 8		5 sets
Spare key	76 12892 50106 5		
Knife No.52 ZICO (3)	76 12892 20422 5		

(1)



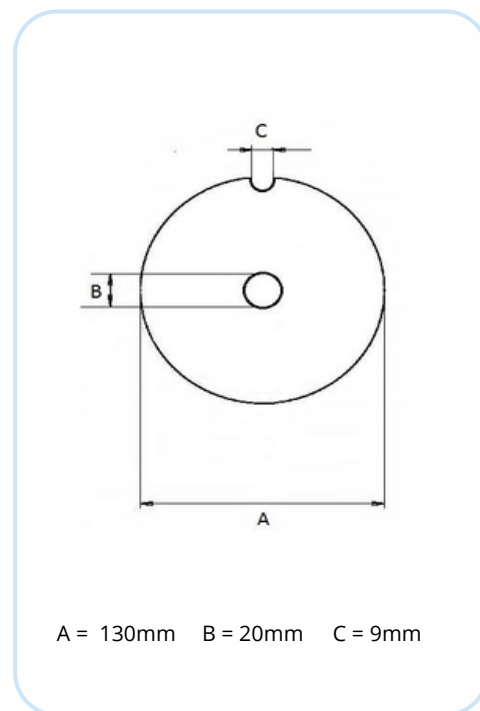
(2)



(3)



Description	EAN-No.	Price
Plate No.42 2 mm (5/64")	76 12892 15011 9	
Plate No.42 2.5 mm (3/32")	76 12892 15012 6	
Plate No.42 3 mm (1/8")	76 12892 15013 3	
Plate No.42 3.5 mm (9/64")	76 12892 15014 0	
Plate No.42 4 mm (5/32")	76 12892 15015 7	
Plate No.42 4.5 mm (3/16")	76 12892 15016 4	
Plate No.42 5 mm (6/32")	76 12892 15017 1	
Plate No.42 6 mm (1/4")	76 12892 15018 8	
Plate No.42 8 mm (5/16")	76 12892 15020 1	
Plate No.42 10 mm (3/8")	76 12892 15022 5	
Plate No.42 13 mm (1/2")	76 12892 15025 6	
Plate No.42 16 mm (5/8")	76 12892 15028 7	
Plate No.42 20 mm (3/4")	76 12892 15032 4	
Plate No.42 25 mm (1")	76 12892 15037 9	
Plate No.42 30 mm (1 3/16")	76 12892 15042 3	
Kidney plate No.42 No.0	76 12892 15000 3	

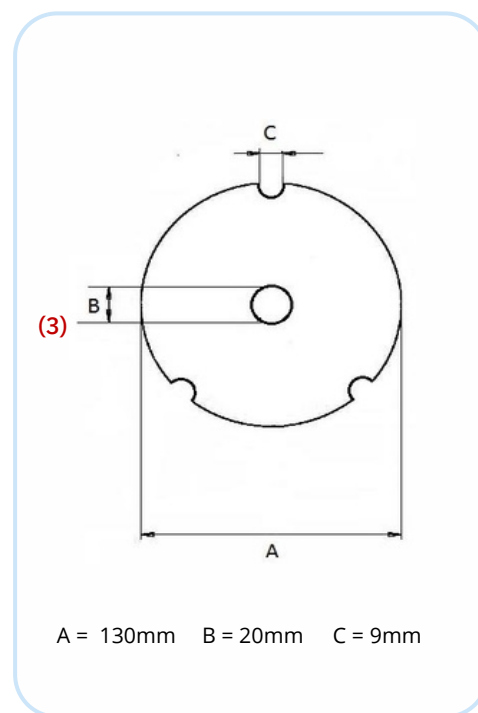


For premincing



Inox - stainless

Description	EAN-No.	Price
Plate No.52 2 mm (5/64")	76 12892 15411 7	
Plate No.52 2.5 mm (3/32")	76 12892 15412 4	
Plate No.52 3 mm (1/8")	76 12892 15413 1	
Plate No.52 3.5 mm (9/64")	76 12892 15414 8	
Plate No.52 4 mm (5/32")	76 12892 15415 5	
Plate No.52 4.5 mm (3/16")	76 12892 15416 2	
Plate No.52 5 mm (6/32")	76 12892 15417 9	
Plate No.52 6 mm (1/4")	76 12892 15418 6	
Plate No.52 8 mm (5/16")	76 12892 15420 9	
Plate No.52 10 mm (3/8")	76 12892 15422 3	
Plate No.52 13 mm (1/2")	76 12892 15425 4	
Plate No.52 16 mm (5/8")	76 12892 15428 5	
Plate No.52 20 mm (3/4")	76 12892 15432 2	
Plate No.52 25 mm (1")	76 12892 15437 7	
Plate No.52 30 mm (1 3/16")	76 12892 15442 1	
Kidney plate No.52 No.0	76 12892 15400 1	



For premincing

