

Description	EAN-No.	Price	
Precutter H82 No.0 Standard	76 12892 10600 0		(2) Inclined holes, center 17 mm
Precutter H82 No.0 gerade	76 12892 10601 7		Straight holes, center 17 mm
Precutter H82 No.0 22mm	76 12892 10602 4		Straight holes, <b>center 22 mm</b>
Distance ring H82 small inox	76 12892 10605 5		Width 18 mm
Distance ring H82 large inox	76 12892 10606 2		Width 36 mm
Knife H82, 3 wings, inox (1)	76 12892 20820 9		With exchangeable blades, + key, for knife stud 13 x 17mm
Blades H82 (3)	76 12892 30082 8		1 box with 9 blades
Screws, inox	76 12892 40070 2		5 sets, + key
Spare Key	76 12892 50070 9		
Knife H82 Solid, 3 wings, inox	76 12892 20821 6		(4) Strong knife, stainless
Knife Robot-S4 or Garant3	76 12892 20829 2		From ZICO or L&W, toolsteel
Sickle Ringknife H82	76 12892 20822 3		From ZICO or L&W, toolsteel, tinned

(1)



(2)





(3)



(4)



 **Tel.:**  
+41 (0)32 6531132

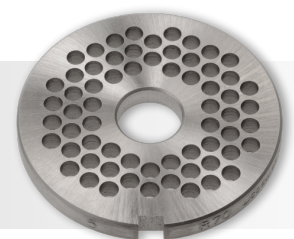
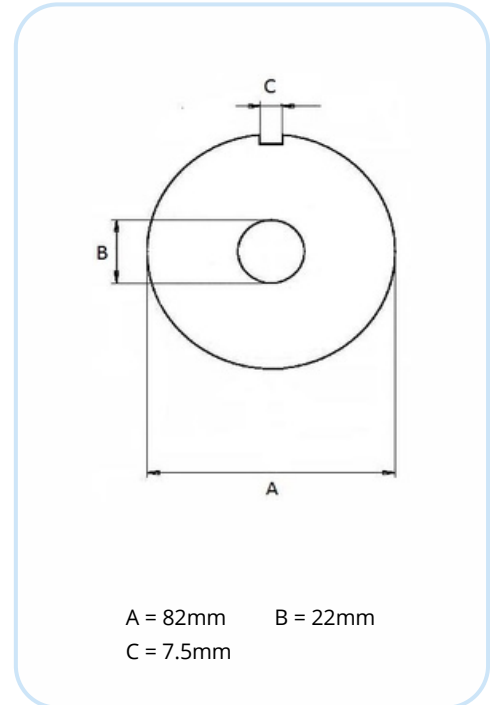
 **E-Mail:**  
office@licoswiss.ch

 **Adresse:**  
LICOSWISS M.Liechti, Daederizstrasse 26  
CH - 2540 Grenchen

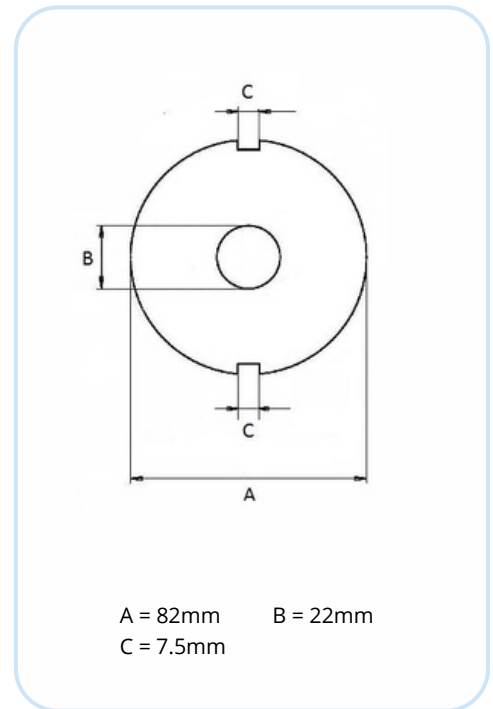
# Size H82

Inox - stainless

Description	EAN-No.	Price
Plate H82 1.5 mm	76 12892 10610 9	
Plate H82 2 mm	76 12892 10611 6	
Plate H82 2.5 mm	76 12892 10612 3	
Plate H82 3 mm	76 12892 10613 0	
Plate H82 3.5 mm	76 12892 10614 7	
Plate H82 4 mm	76 12892 10615 4	
Plate H82 4.5 mm	76 12892 10616 1	
Plate H82 5 mm	76 12892 10617 8	
Plate H82 6 mm	76 12892 10618 5	
Plate H82 8 mm	76 12892 10620 8	
Plate H82 10 mm	76 12892 10622 2	
Plate H82 13 mm	76 12892 10625 3	
Plate H82 16 mm	76 12892 10628 4	
Plate H82 20 mm	76 12892 10632 1	



Description	EAN-No.	Price
Plate H82 Cod 1.5 mm	76 12892 10710 6	
Plate H82 Cod 2 mm	76 12892 10711 3	
Plate H82 Cod 2.5 mm	76 12892 10712 0	
Plate H82 Cod 3 mm	76 12892 10713 7	
Plate H82 Cod 3.5 mm	76 12892 10714 4	
Plate H82 Cod 4 mm	76 12892 10715 1	
Plate H82 Cod 4.5 mm	76 12892 10716 8	
Plate H82 Cod 5 mm	76 12892 10717 5	
Plate H82 Cod 6 mm	76 12892 10718 2	
Plate H82 Cod 8 mm	76 12892 10720 5	



Please ask for other hole sizes

