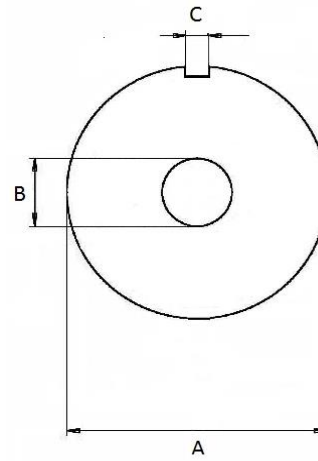


Product	EAN-No.	
<b>Inox - stainless</b>		
Plate A90 1.5 mm	76 12892 10810 3	
Plate A90 2 mm	76 12892 10811 0	
Plate A90 2.5 mm	76 12892 10812 7	
Plate A90 3 mm	76 12892 10813 4	
Plate A90 3.5 mm	76 12892 10814 1	
Plate A90 4 mm	76 12892 10815 8	
Plate A90 4.5 mm	76 12892 10816 5	
Plate A90 5 mm	76 12892 10817 2	
Plate A90 6 mm	76 12892 10818 9	
Plate A90 8 mm	76 12892 10820 2	
Plate A90 10 mm	76 12892 10822 6	
Plate A90 13 mm	76 12892 10825 7	
Plate A90 16 mm	76 12892 10828 8	
Plate A90 20 mm	76 12892 10832 5	
Precutter A90 No.0 standard	76 12892 10800 4	Inclined holes, center hole 18.5mm
Precutter A90 No.0 straight	76 12892 10801 1	Straight holes, center hole 18.5mm
Precutter A90 No.0 24mm	76 12892 10802 8	Straight holes, center hole 24mm
Distance ring A90 small inox	76 12892 10805 9	Width 20 mm
Distance ring A90 large inox	76 12892 10806 6	Width 41 mm
Knife A90, 3 wings, inox	76 12892 20900 8	With exchangeable blades, + key, for knife stud 14x18mm
Spare blades A90	76 12892 30090 3	1 packet with 9 blades
Spare screws/nuts, inox	76 12892 40070 2	1 packet with 5 screws/nuts, + key
Spare key	76 12892 50070 9	Key for the screws



A = 90mm    B = 24mm  
C = 7.5mm



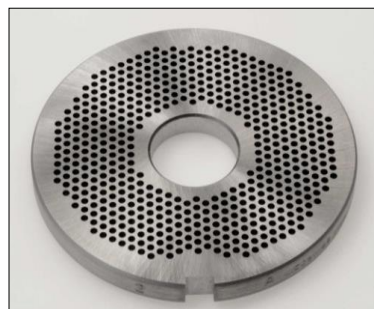
Knife A90, 3 wings, inox



Spare blades



Precutter inclined



Plate