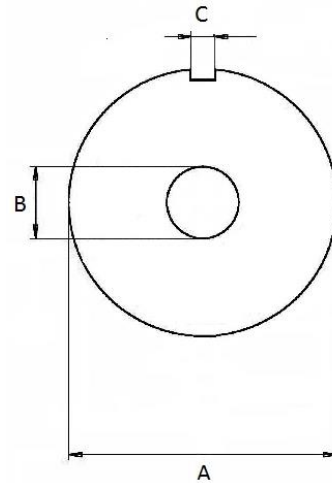


Product	EAN-No.	
Inox - stainless		
Plate C106 1.5 mm	76 12892 11210 0	
Plate C106 2 mm	76 12892 11211 7	
Plate C106 2.5 mm	76 12892 11212 4	
Plate C106 3 mm	76 12892 11213 1	
Plate C106 3.5 mm	76 12892 11214 8	
Plate C106 4 mm	76 12892 11215 5	
Plate C106 4.5 mm	76 12892 11216 2	
Plate C106 5 mm	76 12892 11217 9	
Plate C106 6 mm	76 12892 11218 6	
Plate C106 8 mm	76 12892 11220 9	
Plate C106 10 mm	76 12892 11222 3	
Plate C106 13 mm	76 12892 11225 4	
Plate C106 16 mm	76 12892 11228 5	
Plate C106 20 mm	76 12892 11232 2	
Plate C106 25 mm	76 12892 11237 7	
Precutter C106 No.0 standard	76 12892 11200 1	Inclined holes, center hole 20.5 mm
Precutter C106 No.0 straight	76 12892 11201 8	Straight holes, center hole 20.5 mm
Precutter C106 No.0 28mm	76 12892 11202 5	Straight holes, center hole 28 mm
Distance ring C106 small inox	76 12892 11205 6	Width 22 mm
Distance ring C106 large inox	76 12892 11206 3	Width 45 mm
Knife C106, 3 wings, inox	76 12892 21060 8	With exchangeable blades, + key, for knife stud 16x20mm
Spare blades C106/D114	76 12892 30106 1	1 packet with 9 blades
Spare screws/nuts, inox	76 12892 40106 8	1 packet with 5 screws/nuts
Spare key	76 12892 50106 5	Key for the screws



A = 106mm B = 28mm
C = 9.5mm



Knife C106, 3 wings, inox



Spare blades



Precutter inclined



Plate