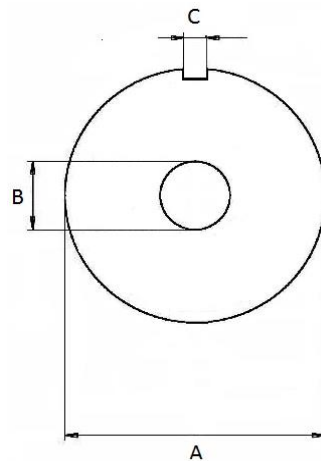


Product	EAN-No.	
Inox - stainless		
Plate D114 1.5 mm	76 12892 11410 4	
Plate D114 2 mm	76 12892 11411 1	
Plate D114 2.5 mm	76 12892 11412 8	
Plate D114 3 mm	76 12892 11413 5	
Plate D114 3.5 mm	76 12892 11414 2	
Plate D114 4 mm	76 12892 11415 9	
Plate D114 4.5 mm	76 12892 11416 6	
Plate D114 5 mm	76 12892 11417 3	
Plate D114 6 mm	76 12892 11418 0	
Plate D114 8 mm	76 12892 11420 3	
Plate D114 10 mm	76 12892 11422 7	
Plate D114 13 mm	76 12892 11425 8	
Plate D114 16 mm	76 12892 11428 9	
Plate D114 20 mm	76 12892 11432 6	
Plate D114 25 mm	76 12892 11437 1	
Precutter D114 No.0 Standard	76 12892 11400 5	Inclined holes, center hole 21.5 mm
Precutter D114 No.0 gerade	76 12892 11401 2	Straight holes, center hole 21.5 mm
Precutter D114 No.0 29mm	76 12892 11402 9	Straight holes, center hole 29 mm
Distance ring D114 small, inox	76 12892 11405 0	Width 26 mm
Distance ring D114 large, inox	76 12892 11406 7	Width 51 mm
Knife D114, 3 wings, inox	76 12892 21140 7	With exchangeable blades, + key, for knife stud 17x21mm
Spare blades D114/C106	76 12892 30114 6	1 packet with 9 blades
Spare screws/nuts, inox	76 12892 40106 8	1 packet with 5 screws/nuts
Spare key	76 12892 50106 5	Key for the screws
Knife D114 Solid, 3 wings	76 12892 21141 4	Strong universal knife
Sickle-Ringknife D114, 5 bladed	76 12892 21142 1	From L&W



A = 114mm B = 29mm
C = 10.5mm



Knife D114 with blades



Spare blades



Precuttr inclined



Knife D114 Solid