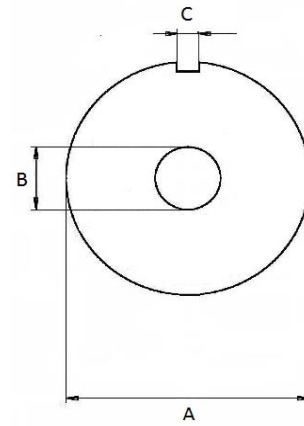


Product	EAN-No.	
Inox - stainless		
Plate E130 1.5 mm	76 12892 11610 8	
Plate E130 2 mm	76 12892 11611 5	
Plate E130 2.5 mm	76 12892 11612 2	
Plate E130 3 mm	76 12892 11613 9	
Plate E130 3.5 mm	76 12892 11614 6	
Plate E130 4 mm	76 12892 11615 3	
Plate E130 4.5 mm	76 12892 11616 0	
Plate E130 5 mm	76 12892 11617 7	
Plate E130 6 mm	76 12892 11618 4	
Plate E130 8 mm	76 12892 11620 7	
Plate E130 10 mm	76 12892 11622 1	
Plate E130 13 mm	76 12892 11625 2	
Plate E130 16 mm	76 12892 11628 3	
Plate E130 20 mm	76 12892 11632 0	
Plate E130 25 mm	76 12892 11637 5	
Plate E130 30 mm	76 12892 11642 9	
Precutter E130 No.0 standard	76 12892 11600 9	Inclined holes, center hole 23.5 mm
Precutter E130 No.0 straight	76 12892 11601 6	Straight holes, center hole 23.5 mm
Precutter E130 No.0 32mm	76 12892 11602 3	Straight holes, center hole 32 mm
Knife E130, 5 wings, inox	76 12892 21300 5	With exchangeable blades, + key
Knife E130, 4 wings, inox	76 12892 21301 2	With exchangeable blades, + key
Knife E130, 5 wings, inox, DB	76 12892 21302 9	With bouble bush
Spare bladesE130	76 12892 30130 6	1 packet with 10 blades
Spare screws/nuts, inox	76 12892 40106 8	1 packet with 5 screws/nuts
Spare key	76 12892 50106 5	Key for the screws
Knife E130 Solid, 4 wings	76 12892 21304 3	Strong universal knife
Sickle-Ringknife E130, 5 bladed	76 12892 21303 6	From L&W



A = 130mm B = 32mm

C = 10.5mm

Knife stud 19x23mm



Knife E130 with blades



Spare blades



Knife E130, 4 wings
LICOSWISS M.Liechti
Daederizstrasse 26
CH-2540 Grenchen



Knife E130 Solid