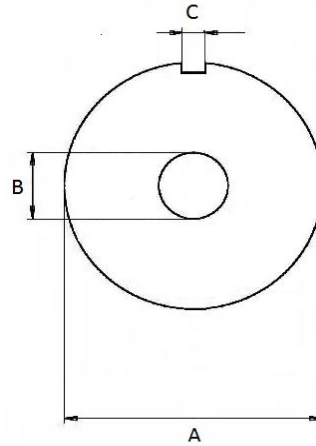


Product	EAN-No.	
Inox - stainless		
Plate GU160 1.5 mm	76 12892 12010 5	
Plate GU160 2 mm	76 12892 12011 2	
Plate GU160 2.5 mm	76 12892 12012 9	
Plate GU160 3 mm	76 12892 12013 6	
Plate GU160 3.5 mm	76 12892 12014 3	
Plate GU160 4 mm	76 12892 12015 0	
Plate GU160 4.5 mm	76 12892 12016 7	
Plate GU160 5 mm	76 12892 12017 4	
Plate GU160 6 mm	76 12892 12018 1	
Plate GU160 8 mm	76 12892 12020 4	
Plate GU160 10 mm	76 12892 12022 8	
Plate GU160 13 mm	76 12892 12025 9	
Plate GU160 16 mm	76 12892 12028 0	
Plate GU160 20 mm	76 12892 12032 7	
Plate GU160 25 mm	76 12892 12037 2	
Plate GU160 30 mm	76 12892 12042 6	
Plate GU160 35 mm	76 12892 12047 1	
Plate GU160 40 mm	76 12892 12052 5	
Precutter GU160 No.0 standard	76 12892 12000 6	Inclined holes, center hole 32.5 mm
Precutter GU160 No.0 straight	76 12892 12001 3	Straight holes, center hole 32.5 mm
Precutter GU160 No.0 42mm	76 12892 12002 0	Straight holes, center hole 42 mm
Precutter GU160 No.0 3 N.	76 12892 12003 7	Straight holes, 3 notches
Knife GU160, 5 wings, inox	76 12892 21600 6	With exchangeable blades, + key
Knife GU160, 4 wings, inox	76 12892 21601 3	With exchangeable blades, + key
Spare blades GU	76 12892 30160 3	1 packet with 5 blades
Spare screws/nuts	76 12892 40160 0	1 packet with 5 screws/nuts
Spare key	76 12892 50160 7	Key for the screws
Robot-S4 knife, L&W	76 12892 21602 0	Solid knife
Garant3 Knife, 4 bladed, ZICO	76 12892 21603 7	Solid knife



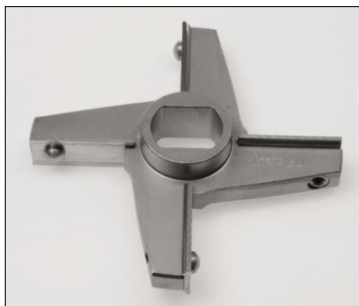
A = 160mm B = 42mm
C = 10.5mm



Knife GU160, 5 wings with blades



Spare blades



Knife GU160, 4 wings

