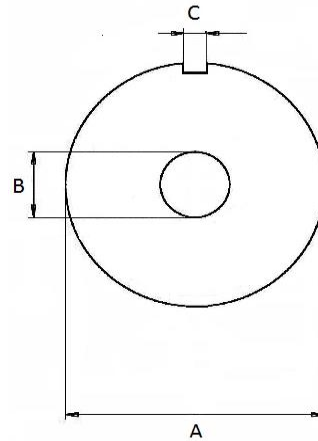


Product	EAN-No.	
Inox - stainless		
Plate H82 1.5 mm	76 12892 10610 9	
Plate H82 2 mm	76 12892 10611 6	
Plate H82 2.5 mm	76 12892 10612 3	
Plate H82 3 mm	76 12892 10613 0	
Plate H82 3.5 mm	76 12892 10614 7	
Plate H82 4 mm	76 12892 10615 4	
Plate H82 4.5 mm	76 12892 10616 1	
Plate H82 5 mm	76 12892 10617 8	
Plate H82 6 mm	76 12892 10618 5	
Plate H82 8 mm	76 12892 10620 8	
Plate H82 10 mm	76 12892 10622 2	
Plate H82 13 mm	76 12892 10625 3	
Plate H82 16 mm	76 12892 10628 4	
Plate H82 20 mm	76 12892 10632 1	
Precutter H82 No.0 standard	76 12892 10600 0	Inclined holes, center hole 17 mm
Precutter H82 No.0 straight	76 12892 10601 7	Straight holes, center hole 17 mm
Precutter H82 No.0 22mm	76 12892 10602 4	Straight holes, center hole 22 mm
Distance ring H82 small inox	76 12892 10605 5	Width 18 mm
Distance ring H82 large inox	76 12892 10606 2	Width 36 mm
Knife H82, 3 wings, inox	76 12892 20820 9	With exchangeable blades, + key, for knife stud 12x16mm
Spare blades H82	76 12892 30082 8	1 packet with 9 blades
Spare screws/nuts, inox	76 12892 40070 2	1 packet with 5 screws/nuts + key
Spare key	76 12892 50070 9	Key for the screws
Knife H82 Solid, 3 wings	76 12892 20821 6	Strong universal knife, stainless
Sickle-Ringknife H82, 4 bladed	76 12892 20822 3	From L&W



A = 82mm B = 22mm
C = 7.5mm



Knife H82, 3 wings, inox



Precutter inclined



Blades



Knife H82 Solid