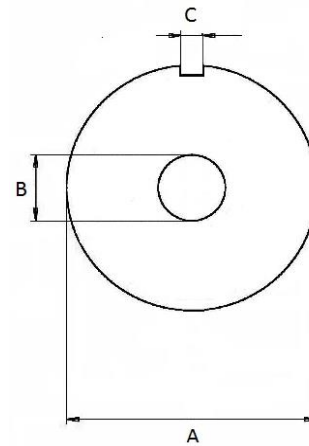


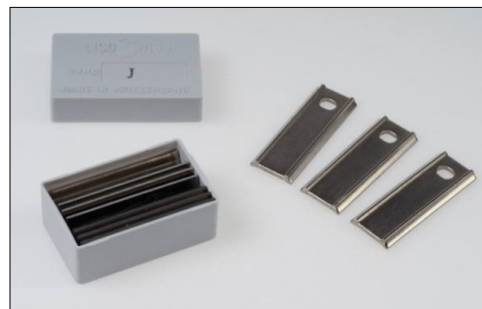
Product	EAN-No.	
Inox - stainless		
Plate J150 2 mm	76 12892 11811 9	
Plate J150 2.5 mm	76 12892 11812 6	
Plate J150 3 mm	76 12892 11813 3	
Plate J150 3.5 mm	76 12892 11814 0	
Plate J150 4 mm	76 12892 11815 7	
Plate J150 4.5 mm	76 12892 11816 4	
Plate J150 5 mm	76 12892 11817 1	
Plate J150 6 mm	76 12892 11818 8	
Plate J150 8 mm	76 12892 11820 1	
Plate J150 10 mm	76 12892 11822 5	
Plate J150 13 mm	76 12892 11825 6	
Plate J150 16 mm	76 12892 11828 7	
Plate J150 20 mm	76 12892 11832 4	
Plate J150 25 mm	76 12892 11837 9	
Plate J150 30 mm	76 12892 11842 3	
Precutter J150 No.0 standard	76 12892 11800 3	Inclined holes, center hole 26.5 mm
Precutter J150 No.0 straight	76 12892 11801 0	Straight holes, center hole 26.5 mm
Precutter J150 No.0 41mm	76 12892 11802 7	Straight holes, center hole 41 mm
Knife J150, 5 wings, inox	76 12892 21500 9	With exchangeable blades, + key, for knife stud 20x26mm
Knife J150-L, 5 wings, inox	76 12892 21501 6	For knife stud 22x28 mm (=F150)
Spare blades J150	76 12892 30150 4	1 packet with 10 blades
Spare screws/nuts, inox	76 12892 40106 8	1 packet with 5 screws/nuts
Spare key	76 12892 50106 5	Key for the screws



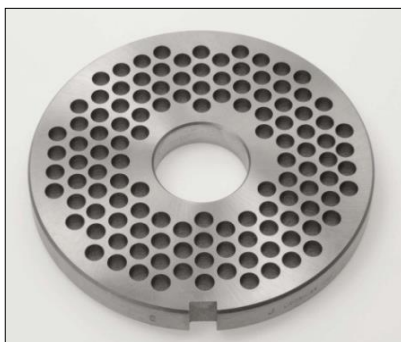
A = 150mm B = 41mm
C = 10.5mm



Knife J150, 5 wings, inox



Spare blades



Plate



Precutter inclined