

Articles	EAN-No.		
Inox - stainless			
Plate No.32 1.5 mm (1/16")	76 12892 14010 3		<p>A = 100mm B = 13.5mm C = 6.5mm</p>
Plate No.32 2 mm (5/64")	76 12892 14011 0		
Plate No.32 2.5 mm (3/32")	76 12892 14012 7		
Plate No.32 3 mm (1/8")	76 12892 14013 4		
Plate No.32 3.5 mm (9/64")	76 12892 14014 1		
Plate No.32 4 mm (5/32")	76 12892 14015 8		
Plate No.32 4.5 mm (3/16")	76 12892 14016 5		
Plate No.32 5 mm (6/32")	76 12892 14017 2		
Plate No.32 6 mm (1/4")	76 12892 14018 9		
Plate No.32 8 mm (5/16")	76 12892 14020 2		
Plate No.32 10 mm (3/8")	76 12892 14022 6		
Plate No.32 13 mm (1/2")	76 12892 14025 7		
Plate No.32 16 mm (5/8")	76 12892 14028 8		
Plate No.32 20 mm (3/4")	76 12892 14032 5		
Plate No.32 25 mm (1")	76 12892 14037 0		
Kidney plate No.32 No.0	76 12892 14000 4		
Knife No.32, 3 wings, inox (1)	76 12892 20320 4		With exchangeable blades + key
Knife No.32, 4 wings, inox (2)	76 12892 20321 1		Solid knife
Blades No.32 (3)	76 12892 30032 3		1 box with 9 blades
Spare screws, inox	76 12892 40012 2		1 bag with 5 screws + key
Spare key	76 12892 50070 9		Key for the screws
Knife No.32 ZICO (5)	76 12892 20322 8		



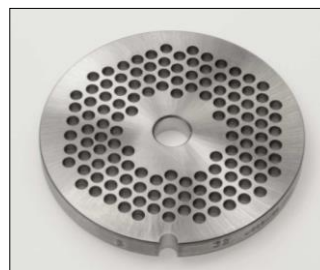
(1)



(3)



(2)

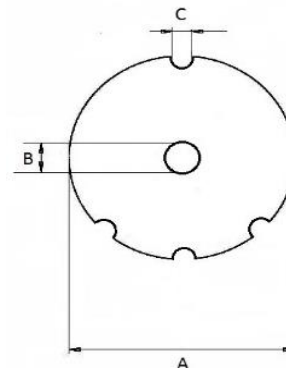


(4)



(5)

Articles	EAN-No.		
Inox - stainless			
Plate No.32 2 mm (5/64")	76 12892 14911 3		
Plate No.32 2.5 mm (3/32")	76 12892 14912 0		
Plate No.32 3 mm (1/8")	76 12892 14913 7		
Plate No.32 3.5 mm (9/64")	76 12892 14914 4		
Plate No.32 4 mm (5/32")	76 12892 14915 1		
Plate No.32 4.5 mm (3/16")	76 12892 14916 8		
Plate No.32 5 mm (6/32")	76 12892 14917 5		
Plate No.32 6 mm (1/4")	76 12892 14918 2		
Plate No.32 8 mm (5/16")	76 12892 14920 5		
Plate No.32 10 mm (3/8")	76 12892 14922 9		
Plate No.32 13 mm (1/2")	76 12892 14925 0		
Plate No.32 16 mm (5/8")	76 12892 14928 1		
Plate No.32 20 mm (3/4")	76 12892 14932 8		
Plate No.32 25 mm (1")	76 12892 14937 3		
Kidney plate No.32 No.0	76 12892 14900 7		For premincing



A = 100mm B = 13.5mm C = 6.5mm

No.32 coded with hub



Articles	EAN-No.		
Inox - stainless			
Plate No.32 2 mm (5/64")	76 12892 14711 9		
Plate No.32 2.5 mm (3/32")	76 12892 14712 6		
Plate No.32 3 mm (1/8")	76 12892 14713 3		
Plate No.32 3.5 mm (9/64")	76 12892 14714 0		
Plate No.32 4 mm (5/32")	76 12892 14715 7		
Plate No.32 4.5 mm (3/16")	76 12892 14716 4		
Plate No.32 5 mm (6/32")	76 12892 14717 1		
Plate No.32 6 mm (1/4")	76 12892 14718 8		
Plate No.32 8 mm (5/16")	76 12892 14720 1		
Plate No.32 10 mm (3/8")	76 12892 14722 5		
Plate No.32 13 mm (1/2")	76 12892 14725 6		
Plate No.32 16 mm (5/8")	76 12892 14728 7		
Plate No.32 20 mm (3/4")	76 12892 14732 4		
Plate No.32 25 mm (1")	76 12892 14737 9		
Kidney plate No.32 No.0	76 12892 14700 3		

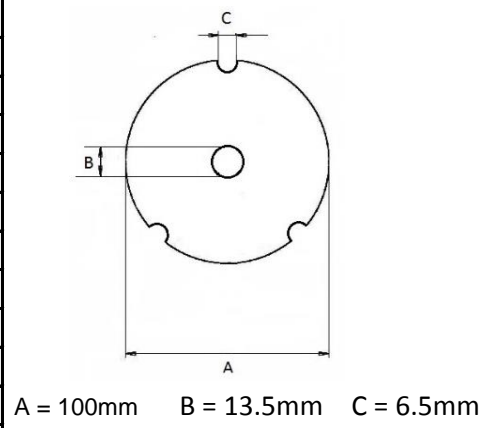


No.32 SUPER

LongLife



Articles	EAN-No.		
Inox - stainless			
Plate No.32 3 mm (1/8")	76 12892 14813 0		
Plate No.32 3.5 mm (9/64")	76 12892 14814 7		
Plate No.32 4 mm (5/32")	76 12892 14815 4		
Plate No.32 4.5 mm (3/16")	76 12892 14816 1		
Plate No.32 5 mm (6/32")	76 12892 14817 8		
Plate No.32 6 mm (1/4")	76 12892 14818 5		
Plate No.32 8 mm (5/16")	76 12892 14820 8		
Plate No.32 10 mm (3/8")	76 12892 14822 2		
Plate No.32 13 mm (1/2")	76 12892 14825 3		
Plate No.32 16 mm (5/8")	76 12892 14828 4		
Plate No.32 20 mm (3/4")	76 12892 14832 1		
Plate No.32 25 mm (1")	76 12892 14837 6		
Kidney plate No.32 No.0	76 12892 14800 0		For premincing



Thickness 12.5mm