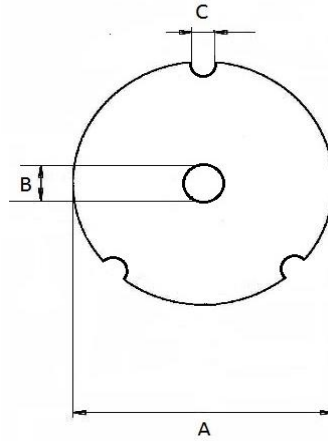


Product	EAN-No.	
Inox - stainless		
Plate No.52 2 mm (5/64")	76 12892 15411 7	
Plate No.52 2.5 mm (3/32")	76 12892 15412 4	
Plate No.52 3 mm (1/8")	76 12892 15413 1	
Plate No.52 3.5 mm (9/64")	76 12892 15414 8	
Plate No.52 4 mm (5/32")	76 12892 15415 5	
Plate No.52 4.5 mm (3/16")	76 12892 15416 2	
Plate No.52 5 mm (6/32")	76 12892 15417 9	
Plate No.52 6 mm (1/4")	76 12892 15418 6	
Plate No.52 8 mm (5/16")	76 12892 15420 9	
Plate No.52 10 mm (3/8")	76 12892 15422 3	
Plate No.52 13 mm (1/2")	76 12892 15425 4	
Plate No.52 16 mm (5/8")	76 12892 15428 5	
Plate No.52 20 mm (3/4")	76 12892 15432 2	
Plate No.52 25 mm (1")	76 12892 15437 7	A = 130mm B = 20mm C = 9mm
Plate No.52 30 mm (1 3/16")	76 12892 15442 1	
Kidney plate No.52 No.0	76 12892 15400 1	For premincing
Knife No.42/52, 4 wings, inox	76 12892 20420 1	With exchangeable blades, + key
Spare blades No.42/52	76 12892 30042 2	1 packet with 8 blades
Spare screws/nuts	76 12892 40106 8	1 packet with 5 screws/nuts
Spare key	76 12892 50106 5	Key for the screws
Knife No.52, 4 wings, ZICO	76 12892 20422 5	Solid knife from ZICO



A = 130mm B = 20mm C = 9mm



Plate No.52