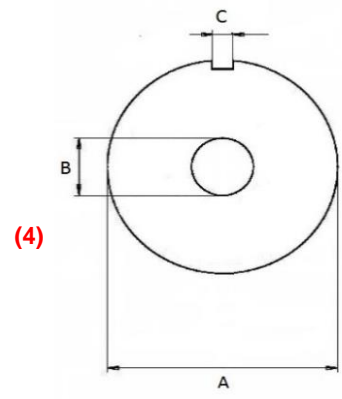


Article	EAN-No.	
Inox - stainless		
Plate R70 1.5 mm	76 12892 10410 5	
Plate R70 2 mm	76 12892 10411 2	
Plate R70 2.5 mm	76 12892 10412 9	
Plate R70 3 mm	76 12892 10413 6	
Plate R70 3.5 mm	76 12892 10414 3	
Plate R70 4 mm	76 12892 10415 0	
Plate R70 4.5 mm	76 12892 10416 7	
Plate R70 5 mm	76 12892 10417 4	
Plate R70 6 mm	76 12892 10418 1	
Plate R70 8 mm	76 12892 10420 4	
Plate R70 10 mm	76 12892 10422 8	
Plate R70 13 mm	76 12892 10425 9	
Plate R70 16 mm	76 12892 10428 0	
Precutter No.0 R70 (3)	76 12892 10401 3	Straight holes, center hole 12.5 mm
Precutter No.0 R70 17mm	76 12892 10402 0	Straight holes, center hole 17 mm
Distance ring R70 small inox	76 12892 10405 1	Width 15 mm
Distance ring R70 large inox	76 12892 10406 8	Width 29 mm
Knife SO/R70, 3 wings,inox (1)	76 12892 20700 4	With exchangeable blades, + key, for knife stud 9.5 x 12.5mm
Knife SO/R70 "Lips", 3 wings	76 12892 20702 8	For knife stud 10.0 x 12.5mm
Blades SO/R70 (2)	76 12892 30070 5	1 box with 9 blades
Spare screws/nuts, inox	76 12892 40070 2	1 bag with 5 sets screws/nuts, + key
Spare key, inox	76 12892 50070 9	Key for the screws



A = 70mm B = 17mm
C = 7.5mm



(1)



(2)



(3)



(4)