

Description	EAN-No.	Price	
Precutter B98 No.0 standard	76 12892 11000 7		(2) Inclined holes, center 19.5 mm
Precutter B98 No.0 straight	76 12892 11001 4		Straight holes, center 19.5 mm
Precutter B98 No.0 26mm	76 12892 11002 1		Straight holes, center 26 mm
Distance ring B98 small inox	76 12892 11005 2		Width 20 mm
Distance ring B98 large inox	76 12892 11006 9		Width 41 mm
Knife B98, 3 wings, inox (1)	76 12892 20980 0		With exchangeable blades, + key
Blades B98 (3)	76 12892 30098 9		1 box with 9 blades
Screws, inox	76 12892 40070 2		5 sets, + key
Spare key	76 12892 50070 9		
Knife B98 Solid, 3 wings, inox (4)	76 12892 20981 7		Strong knife, stainless
Knife Robot-S4 or Garant3	76 12892 20989 3		From Zico or L&W, toolsteel
Sickle Ringknife B98	76 12892 20982 4		From Zico or L&W, toolsteel, tinned

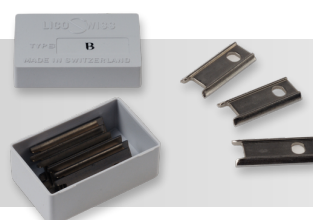
(1)



(2)



(3)



(4)



Tel.:
+41 (0)32 6531132



E-Mail:
office@licoswiss.ch

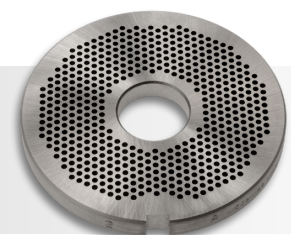
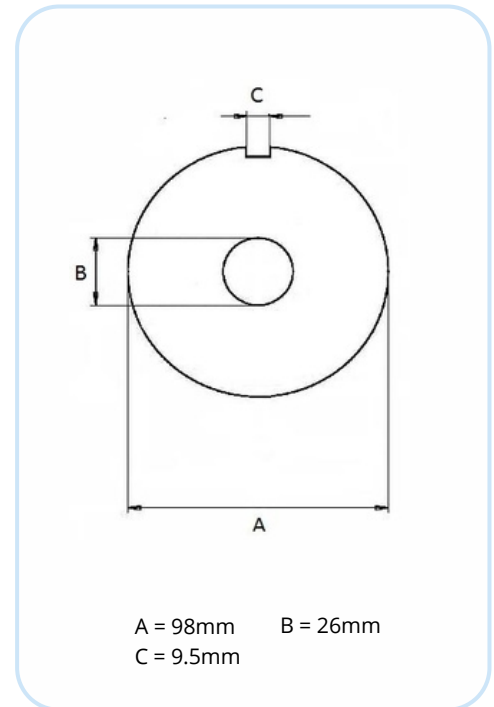


Address:
LICOSWISS M.Liechti, Daederizstrasse 26
CH - 2540 Grenchen

Size B98

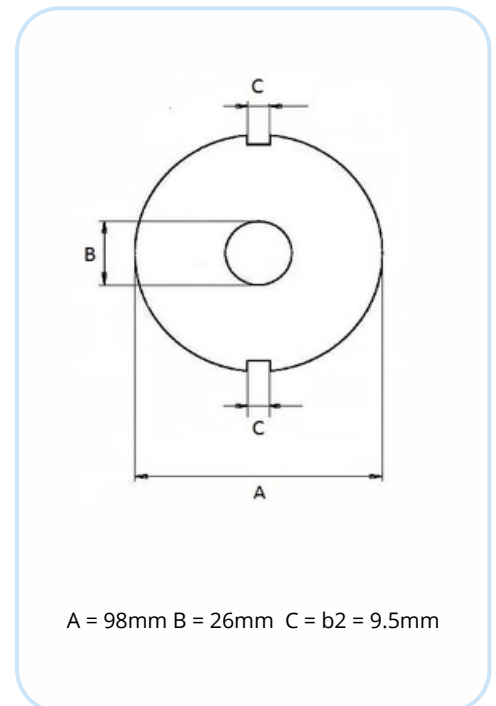
Inox - stainless

Description	EAN-No.	Price
Plate B98 1.5 mm	76 12892 11010 6	
Plate B98 2 mm	76 12892 11011 3	
Plate B98 2.5 mm	76 12892 11012 0	
Plate B98 3 mm	76 12892 11013 7	
Plate B98 3.5 mm	76 12892 11014 4	
Plate B98 4 mm	76 12892 11015 1	
Plate B98 4.5 mm	76 12892 11016 8	
Plate B98 5 mm	76 12892 11017 5	
Plate B98 6 mm	76 12892 11018 2	
Plate B98 8 mm	76 12892 11020 5	
Plate B98 10 mm	76 12892 11022 9	
Plate B98 13 mm	76 12892 11025 0	
Plate B98 16 mm	76 12892 11028 1	
Plate B98 20 mm	76 12892 11032 8	
Plate B98 25 mm	76 12892 11037 3	



Inox - stainless

Description	EAN-No.	Price
Plate B98 Cod 1.5 mm	76 12892 11110 3	
Plate B98 Cod 2 mm	76 12892 11111 0	
Plate B98 Cod 2.5 mm	76 12892 11112 7	
Plate B98 Cod 3 mm	76 12892 11113 4	
Plate B98 Cod 3.5 mm	76 12892 11114 1	
Plate B98 Cod 4 mm	76 12892 11115 8	
Plate B98 Cod 4.5 mm	76 12892 11116 5	
Plate B98 Cod 5 mm	76 12892 11117 2	
Plate B98 Cod 6 mm	76 12892 11118 9	
Plate B98 Cod 8 mm	76 12892 11120 2	



Please ask for other hole sizes

