

Size D114

Inox - stainless

Description	EAN-No.	Price	
Precutter D114 No.0 standard	76 12892 11400 5		(2) Inclined holes, center 21.5 mm
Precutter D114 No.0 straight	76 12892 11401 2		Straight holes, center 21.5 mm
Precutter D114 No.0 29mm	76 12892 11402 9		Straight holes, center 29 mm
Distance ring D114 small, inox	76 12892 11405 0		Width 26 mm
Distance ring D114 large, inox	76 12892 11406 7		Width 51 mm
Knife D114, 3 wings, inox (1)	76 12892 21140 7		With exchangeable blades, + key, for knife stud 17x21mm
Blades D114/C106 (3)	76 12892 30114 6		1 box with 9 blades
Screws, inox	76 12892 40106 8		5 sets
Spare key	76 12892 50106 5		
Knife D114 Solid, 3 wings (4)	76 12892 21141 4		Strong knife, stainless
Knife Robot-S4 or Garant3 (5)	76 12892 21149 0		From Zico or L&W, toolsteel
Sickle Ringknife D114	76 12892 21142 1		From Zico or L&W, tinned



Please ask for other products from
TurboCut, Zico and L&W



Tel.:
+41 (0)32 6531132

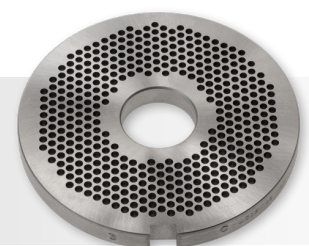
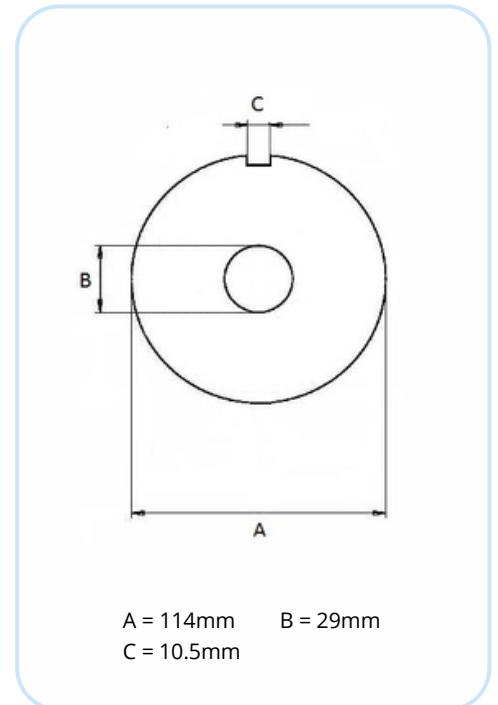
E-Mail:
office@licoswiss.ch

Address:
LICOSWISS M.Liechti, Daederizstrasse 26
CH - 2540 Grenchen

Size D114

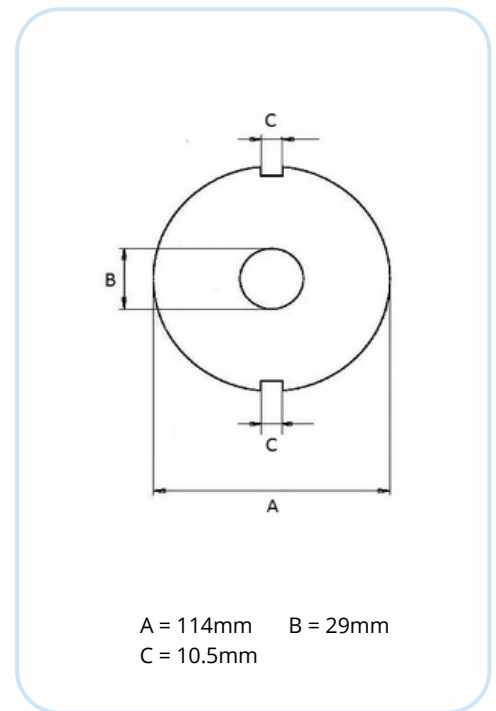
Inox - stainless

Description	EAN-No.	Price
Plate D114 1.5 mm	76 12892 11410 4	
Plate D114 2 mm	76 12892 11411 1	
Plate D114 2.5 mm	76 12892 11412 8	
Plate D114 3 mm	76 12892 11413 5	
Plate D114 3.5 mm	76 12892 11414 2	
Plate D114 4 mm	76 12892 11415 9	
Plate D114 4.5 mm	76 12892 11416 6	
Plate D114 5 mm	76 12892 11417 3	
Plate D114 6 mm	76 12892 11418 0	
Plate D114 8 mm	76 12892 11420 3	
Plate D114 10 mm	76 12892 11422 7	
Plate D114 13 mm	76 12892 11425 8	
Plate D114 16 mm	76 12892 11428 9	
Plate D114 20 mm	76 12892 11432 6	
Plate D114 25 mm	76 12892 11437 1	



Inox - stainless

Description	EAN-No.	Price
Plate D114 Cod 1.5 mm	76 12892 11510 1	
Plate D114 Cod 2 mm	76 12892 11511 8	
Plate D114 Cod 2.5 mm	76 12892 11512 5	
Plate D114 Cod 3 mm	76 12892 11513 2	
Plate D114 Cod 3.5 mm	76 12892 11514 9	
Plate D114 Cod 4 mm	76 12892 11515 6	
Plate D114 Cod 4.5 mm	76 12892 11516 3	
Plate D114 Cod 5 mm	76 12892 11517 0	
Plate D114 Cod 6 mm	76 12892 11518 7	
Plate D114 Cod 8 mm	76 12892 11520 0	



Please ask for other hole sizes

