

Inox - stainless

Description	EAN-No.	Price	
Kidney plate No.12 No.0	76 12892 13000 5		For premincing
Knife No.12, 3 wings, inox (1)	76 12892 20120 0		With exchangeable blades, + key
Knife No.12, 4 wings, inox (2)	76 12892 20121 7		
Blades No.12 (3)	76 12892 30012 5		1 box with 9 blades
Screws inox	76 12892 40012 2		5 screws
Spare key	76 12892 50070 9		
Knife No.12 ZICO (4)	76 12892 20122 4		

(1)



(2)





(3)



(4)



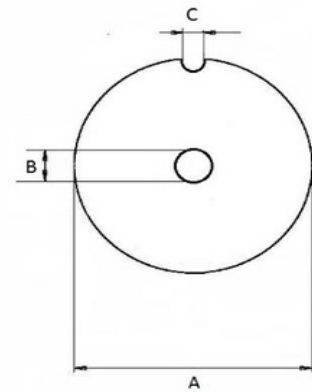
 **Tel.:**  
+41 (0)32 6531132

 **E-Mail:**  
office@licoswiss.ch

 **Address:**  
LICOSWISS M.Liechti, Daederizstrasse 26  
CH - 2540 Grenchen

Inox - stainless

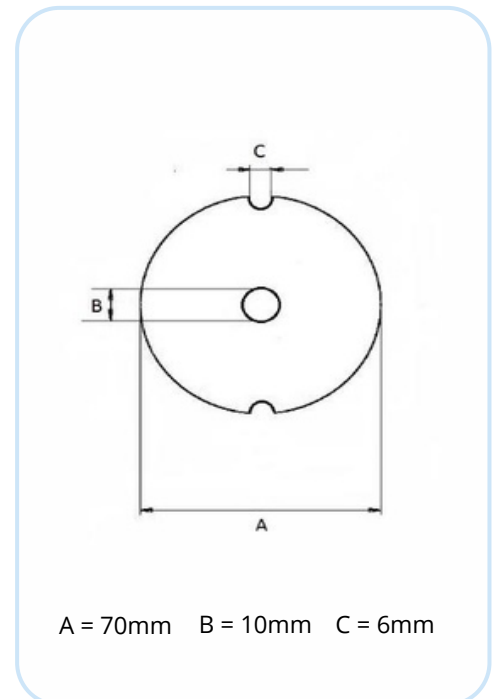
Description	EAN-No.	Price
Plate No.12 1.5 mm (1/16")	76 12892 13010 4	
Plate No.12 2 mm (5/64")	76 12892 13011 1	
Plate No.12 2.5 mm (3/32")	76 12892 13012 8	
Plate No.12 3 mm (1/8")	76 12892 13013 5	
Plate No.12 3.5 mm (9/64")	76 12892 13014 2	
Plate No.12 4 mm (5/32")	76 12892 13015 9	
Plate No.12 4.5 mm (3/16")	76 12892 13016 6	
Plate No.12 5 mm (6/32")	76 12892 13017 3	
Plate No.12 6 mm (1/4")	76 12892 13018 0	
Plate No.12 8 mm (5/16")	76 12892 13020 3	
Plate No.12 10 mm (3/8")	76 12892 13022 7	
Plate No.12 13 mm (1/2")	76 12892 13025 8	
Plate No.12 16 mm (5/8")	76 12892 13028 9	



A = 70mm    B = 10mm  
C = 6mm

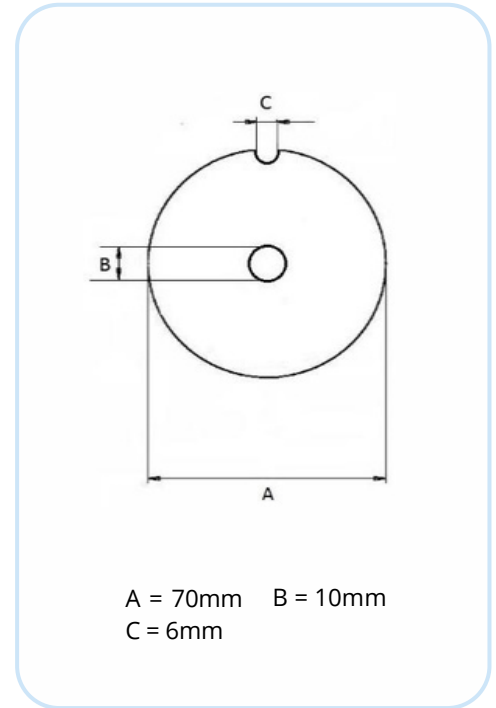


Description	EAN-No.	Price
Plate No.12 Cod 2 mm	76 12892 13111 8	
Plate No.12 Cod 2.5 mm	76 12892 13012 8	
Plate No.12 Cod 3 mm	76 12892 13113 2	
Plate No.12 Cod 3.5 mm	76 12892 13114 9	
Plate No.12 Cod 4 mm	76 12892 13115 6	
Plate No.12 Cod 4.5 mm	76 12892 13116 3	
Plate No.12 Cod 5 mm	76 12892 13117 0	
Plate No.12 Cod 6 mm	76 12892 13118 7	
Plate No.12 Cod 8 mm	76 12892 13120 0	
Plate No.12 Cod 10 mm	76 12892 13122 4	



Please ask for other hole sizes

Description	EAN-No.	Price
Plate No.12 2 mm (5/64")	76 12892 13211 5	
Plate No.12 2.5 mm (3/32")	76 12892 13212 2	
Plate No.12 3 mm (1/8")	76 12892 13213 9	
Plate No.12 3.5 mm (9/64")	76 12892 13214 6	
Plate No.12 4 mm (5/32")	76 12892 13215 3	
Plate No.12 4.5 mm (3/16")	76 12892 13216 0	
Plate No.12 5 mm (6/32")	76 12892 13217 7	
Plate No.12 6 mm (1/4")	76 12892 13218 4	
Plate No.12 8 mm (5/16")	76 12892 13220 7	
Plate No.12 10 mm (3/8")	76 12892 13222 1	
Plate No.12 13 mm (1/2")	76 12892 13225 2	
Plate No.12 16 mm (5/8")	76 12892 13228 3	
Kidney plate No.12 No.0	76 12892 13200 9	



For premincing

