

Description	EAN-No.	Price	
Knife No.22, 3 wings, inox (1)	76 12892 20220 7		With exchangeable blades, + key
Knife No.22, 4 wings, inox (3)	76 12892 20221 4		
Blades No.22 (2)	76 12892 30022 4		1 box with 9 blades
Screws, inox	76 12892 40012 2		5 screws
Spare key	76 12892 50070 9		
Knife No.22 ZICO (4)	76 12892 20222 1		

(1)



(2)





(3)



(4)

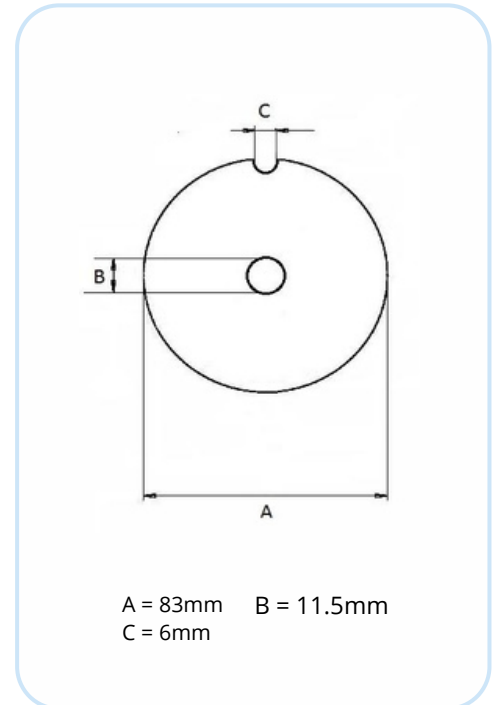


 **Tel.:**
+41 (0)32 6531132

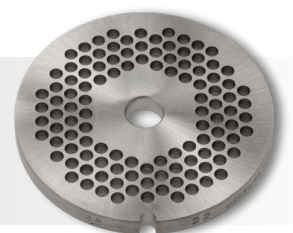
 **E-Mail:**
office@licoswiss.ch

 **Address:**
LICOSWISS M.Liechti, Daederizstrasse 26
CH - 2540 Grenchen

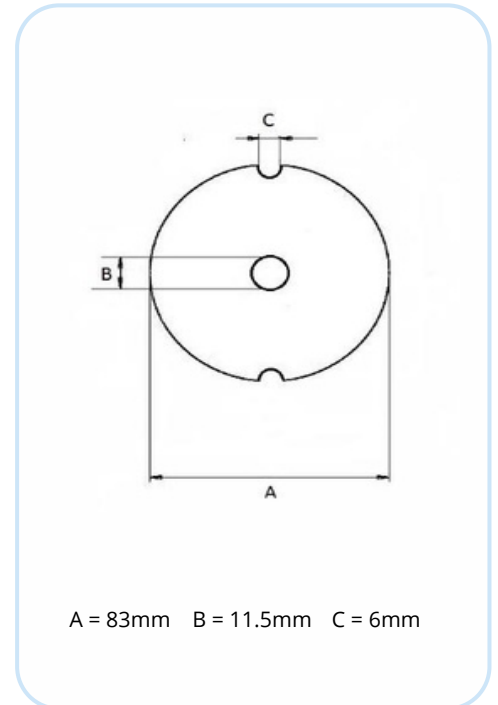
Description	EAN-No.	Price
Plate No.22 1.5 mm (1/16")	76 12892 13510 9	
Plate No.22 2 mm (5/64")	76 12892 13511 6	
Plate No.22 2.5 mm (3/32")	76 12892 13512 3	
Plate No.22 3 mm (1/8")	76 12892 13513 0	
Plate No.22 3.5 mm (9/64")	76 12892 13514 7	
Plate No.22 4 mm (5/32")	76 12892 13515 4	
Plate No.22 4.5 mm (3/16")	76 12892 13516 1	
Plate No.22 5 mm (6/32")	76 12892 13517 8	
Plate No.22 6 mm (1/4")	76 12892 13518 5	
Plate No.22 8 mm (5/16")	76 12892 13520 8	
Plate No.22 10 mm (3/8")	76 12892 13522 2	
Plate No.22 13 mm (1/2")	76 12892 13525 3	
Plate No.22 16 mm (5/8")	76 12892 13528 4	
Plate No.22 20 mm (3/4")	76 12892 20222 1	
Kidney plate No.22 No.0	76 12892 13500 0	



For premincing

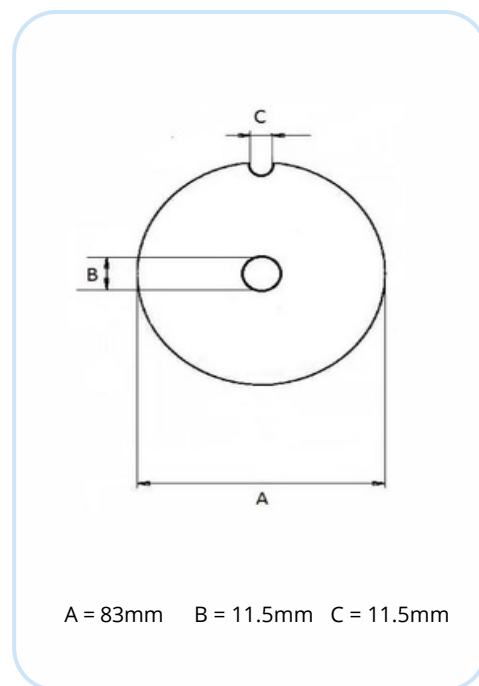


Description	EAN-No.	Price
Plate No.22 Cod 2 mm	76 12892 13611 3	
Plate No.22 Cod 2.5 mm	76 12892 13612 0	
Plate No.22 Cod 3 mm	76 12892 13613 7	
Plate No.22 Cod 3.5 mm	76 12892 13614 4	
Plate No.22 Cod 4 mm	76 12892 13615 1	
Plate No.22 Cod 4.5 mm	76 12892 13616 8	
Plate No.22 Cod 5 mm	76 12892 13617 5	
Plate No.22 Cod 6 mm	76 12892 13618 2	
Plate No.22 Cod 8 mm	76 12892 13620 5	
Plate No.22 Cod 10 mm	76 12892 13622 9	



Please ask for other hole sizes

Description	EAN-No.	Price
Plate No.22 1.5 mm (1/16")	76 12892 13710 3	
Plate No.22 2 mm (5/64")	76 12892 13711 0	
Plate No.22 2.5 mm (3/32")	76 12892 13712 7	
Plate No.22 3 mm (1/8")	76 12892 13713 4	
Plate No.22 3.5 mm (9/64")	76 12892 13714 1	
Plate No.22 4 mm (5/32")	76 12892 13715 8	
Plate No.22 4.5 mm (3/16")	76 12892 13716 5	
Plate No.22 5 mm (6/32")	76 12892 13717 2	
Plate No.22 6 mm (1/4")	76 12892 13718 9	
Plate No.22 8 mm (5/16")	76 12892 13720 2	
Plate No.22 10 mm (3/8")	76 12892 13722 6	
Plate No.22 13 mm (1/2")	76 12892 13725 7	
Plate No.22 16 mm (5/8")	76 12892 13728 8	
Plate No.22 20 mm (3/4")	76 12892 13732 5	
Kidney plate No.22 No.0	76 12892 13700 4	



For premincing

