

Inox - stainless

Description	EAN-No.	Price	
Knife No.32, 3 wings, inox (1)	76 12892 20320 4		With exchangeable blades, + key
Knife No.32, 4 wings, inox (2)	76 12892 20321 1		
Blades No.32 (3)	76 12892 30032 3		1 box with 9 blades
Screws, inox	76 12892 40012 2		5 screws
Spare key	76 12892 50070 9		
Knife No.22 ZICO (4)	76 12892 20322 8		

(1)



(2)





(3)



(4)

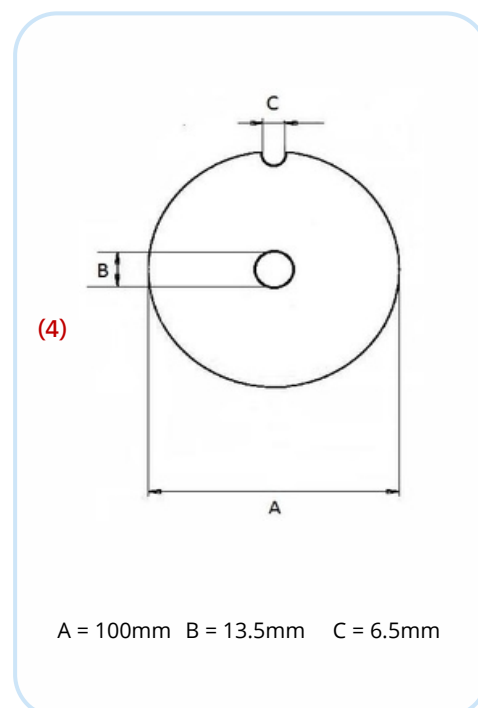


 **Tel.:**  
+41 (0)32 6531132

 **E-Mail:**  
office@licoswiss.ch

 **Address:**  
LICOSWISS M.Liechti, Daederizstrasse 26  
CH - 2540 Grenchen

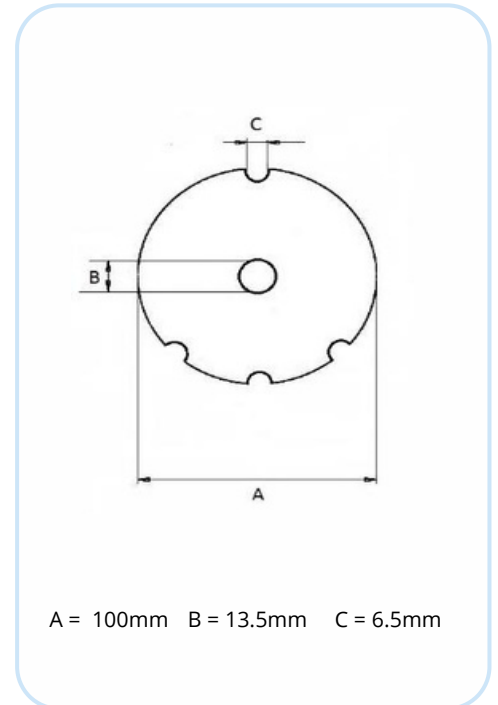
Description	EAN-No.	Price
Plate No.32 1.5 mm (1/16")	76 12892 14010 3	
Plate No.32 2 mm (5/64")	76 12892 14011 0	
Plate No.32 2.5 mm (3/32")	76 12892 14012 7	
Plate No.32 3 mm (1/8")	76 12892 14013 4	
Plate No.32 3.5 mm (9/64")	76 12892 14014 1	
Plate No.32 4 mm (5/32")	76 12892 14015 8	
Plate No.32 4.5 mm (3/16")	76 12892 14016 5	
Plate No.32 5 mm (6/32")	76 12892 14017 2	
Plate No.32 6 mm (1/4")	76 12892 14018 9	
Plate No.32 8 mm (5/16")	76 12892 14020 2	
Plate No.32 10 mm (3/8")	76 12892 14022 6	
Plate No.32 13 mm (1/2")	76 12892 14025 7	
Plate No.32 16 mm (5/8")	76 12892 14028 8	
Plate No.32 20 mm (3/4")	76 12892 14032 5	
Plate No.32 25 mm (1")	76 12892 14037 0	
Kidney plate No.32 No.0	76 12892 14000 4	



For premincing

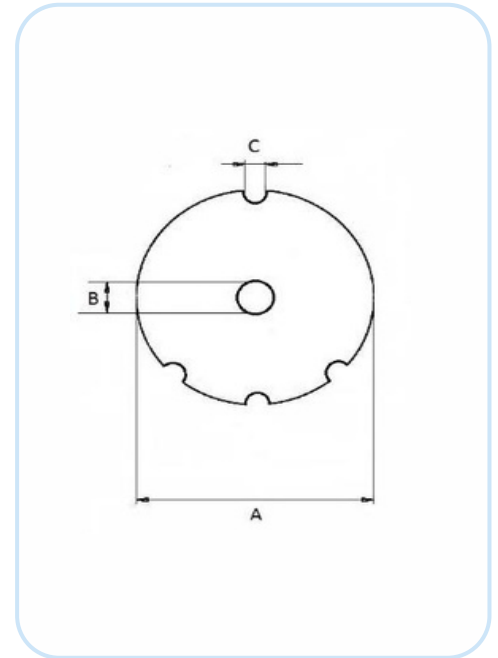


Description	EAN-No.	Price
Plate No.32 2 mm (5/64")	76 12892 14911 3	
Plate No.32 2.5 mm (3/32")	76 12892 14912 0	
Plate No.32 3 mm (1/8")	76 12892 14913 7	
Plate No.32 3.5 mm (9/64")	76 12892 14914 4	
Plate No.32 4 mm (5/32")	76 12892 14915 1	
Plate No.32 4.5 mm (3/16")	76 12892 14916 8	
Plate No.32 5 mm (6/32")	76 12892 14917 5	
Plate No.32 6 mm (1/4")	76 12892 14918 2	
Plate No.32 8 mm (5/16")	76 12892 14920 5	
Plate No.32 10 mm (3/8")	76 12892 14922 9	
Plate No.32 13 mm (1/2")	76 12892 14925 0	
Plate No.32 16 mm (5/8")	76 12892 14928 1	
Plate No.32 20 mm (3/4")	76 12892 14932 8	
Plate No.32 25 mm (1")	76 12892 14937 3	
Kidney plate No.32 No.0	76 12892 14900 7	



For premincing

Description	EAN-No.	Price
Plate No.32 2 mm (5/64")	76 12892 14711 9	
Plate No.32 2.5 mm (3/32")	76 12892 14712 6	
Plate No.32 3 mm (1/8")	76 12892 14713 3	
Plate No.32 3.5 mm (9/64")	76 12892 14714 0	
Plate No.32 4 mm (5/32")	76 12892 14715 7	
Plate No.32 4.5 mm (3/16")	76 12892 14716 4	
Plate No.32 5 mm (6/32")	76 12892 14717 1	
Plate No.32 6 mm (1/4")	76 12892 14718 8	
Plate No.32 8 mm (5/16")	76 12892 14720 1	
Plate No.32 10 mm (3/8")	76 12892 14722 5	
Plate No.32 13 mm (1/2")	76 12892 14725 6	
Plate No.32 16 mm (5/8")	76 12892 14728 7	
Plate No.32 20 mm (3/4")	76 12892 14732 4	
Plate No.32 25 mm (1")	76 12892 14737 9	
Kidney plate No.32 No.0	76 12892 14700 3	



For premincing

