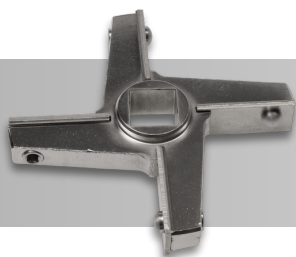


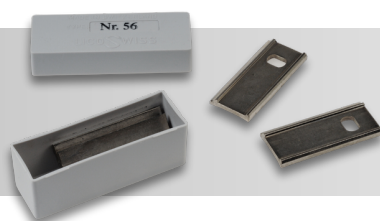
Inox - stainless

Description	EAN-No.	Price	
Knife No.56, 4 wings (1)	76 12892 20560 4		With exchangeable blades, + key
Blades No.56 (2)	76 12892 30056 9		1 box with 4 blades
Screws, inox	76 12892 40160 0		5 sets
Spare key	76 12892 50160 7		
Knife No.56 ZICO (3)	76 12892 20561 1		

(1)





(2)



(3)



 **Tel.:**
+41 (0)32 6531132

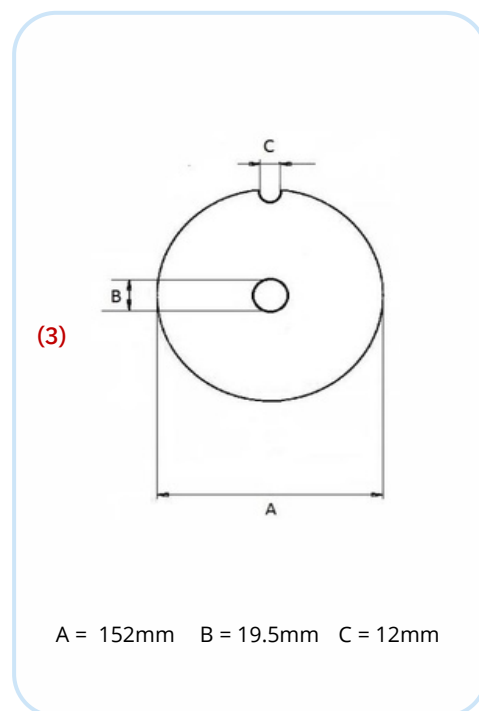
 **E-Mail:**
office@licoswiss.ch

 **Address:**
LICOSWISS M.Liechti, Daederizstrasse 26
CH - 2540 Grenchen

No. 56 with hub

Inox - stainless

Description	EAN-No.	Price
Plate No.56 3 mm (1/8")	76 12892 16013 2	
Plate No.56 3.5 mm (9/64")	76 12892 16014 9	
Plate No.56 4 mm (5/32")	76 12892 16015 6	
Plate No.56 4.5 mm (3/16")	76 12892 16016 3	
Plate No.56 5 mm (6/32")	76 12892 16017 0	
Plate No.56 6 mm (1/4")	76 12892 16018 7	
Plate No.56 8 mm (5/16")	76 12892 16020 0	
Plate No.56 10 mm (3/8")	76 12892 16022 4	
Plate No.56 13 mm (1/2")	76 12892 16025 5	
Plate No.56 16 mm (5/8")	76 12892 16028 6	
Plate No.56 20 mm (3/4")	76 12892 16032 3	
Plate No.56 25 mm (1")	76 12892 16037 8	
Plate No.56 30 mm (1 3/16")	76 12892 16042 2	
Plate No.56 35 mm (1 6/16")	76 12892 16047 7	
Kidney plate No.56 No.0	76 12892 16000 2	



For premincing

