



# Size R70

Inox - stainless

Description	EAN-No.	Price	
Precutter No.0 R70 (3)	76 12892 10401 3		Straight holes, center 12.5 mm
Precutter No.0 R70 17mm	76 12892 10402 0		Straight holes, <b>center 17 mm</b>
Distance ring R70 small inox	76 12892 10405 1		Width 15 mm
Distance ring R70 large inox	76 12892 10406 8		Width 29 mm
Knife SO/R70,3 wings, inox (1)	76 12892 20700 4		With exchangeable blades, + key, for knife stud 9.5 x 12.5mm
Blades SO/R70 (2)	76 12892 30070 5		1 box with 9 blades
Screws/nuts, inox	76 12892 40070 2		5 sets, + key
Spare key	76 12892 50070 9		



 **Tel.:**  
+41 (0)32 6531132

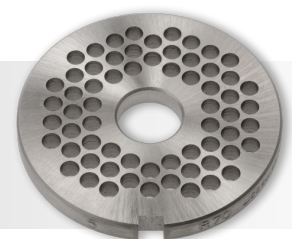
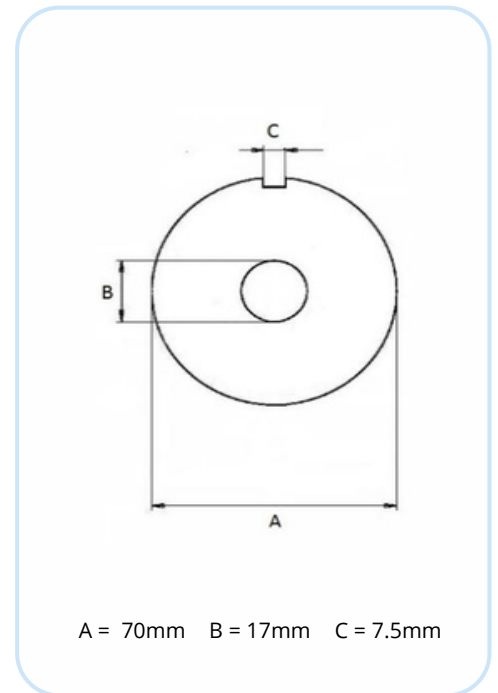
 **E-Mail:**  
office@licoswiss.ch

 **Address:**  
LICOSWISS M.Liechti, Daederizstrasse 26  
CH - 2540 Grenchen

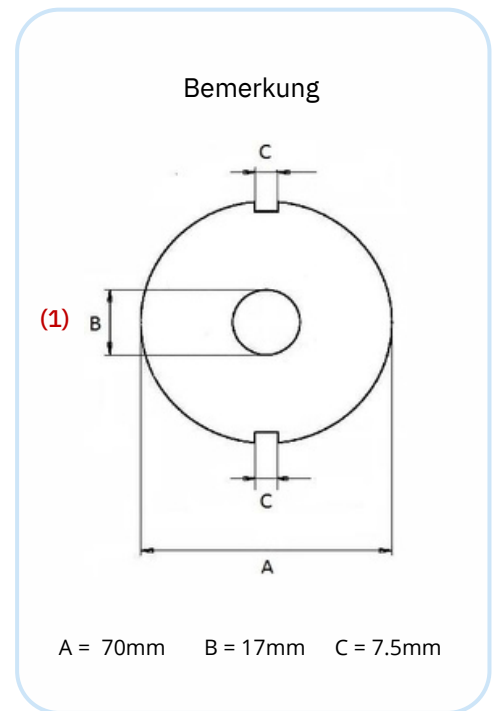
# Size R70

Inox - stainless

Description	EAN-No.	Price
Plate R70 1.5 mm	76 12892 10410 5	
Plate R70 2 mm	76 12892 10411 2	
Plate R70 2.5 mm	76 12892 10412 9	
Plate R70 3 mm	76 12892 10413 6	
Plate R70 3.5 mm	76 12892 10414 3	
Plate R70 4 mm	76 12892 10415 0	
Plate R70 4.5 mm	76 12892 10416 7	
Plate R70 5 mm	76 12892 10417 4	
Plate R70 6 mm	76 12892 10418 1	
Plate R70 8 mm	76 12892 10420 4	
Plate R70 10 mm	76 12892 10422 8	
Plate R70 13 mm	76 12892 10425 9	
Plate R70 16 mm	76 12892 10428 0	



Description	EAN-No.	Price
Plate R70 Cod 1.5 mm	76 12892 10310 8	
Plate R70 Cod 2 mm	76 12892 10311 5	
Plate R70 Cod 2.5 mm	76 12892 10312 2	
Plate R70 Cod 3 mm	76 12892 10313 9	
Plate R70 Cod 3.5 mm	76 12892 10314 6	
Plate R70 Cod 4 mm	76 12892 10315 3	
Plate R70 Cod 4.5 mm	76 12892 10316 0	
Plate R70 Cod 5 mm	76 12892 10317 7	
Plate R70 Cod 6 mm	76 12892 10318 4	
Plate R70 Cod 8 mm	76 12892 10320 7	



Please ask for other hole sizes

